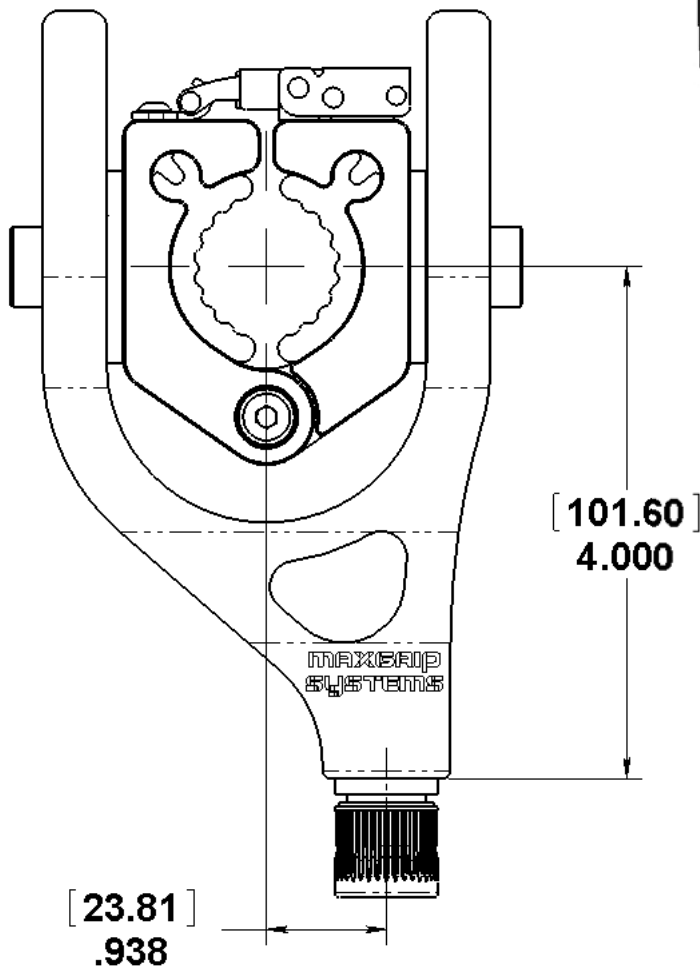


MAXGRIP SYSTEMS

MXG001 - Barbell Attachment

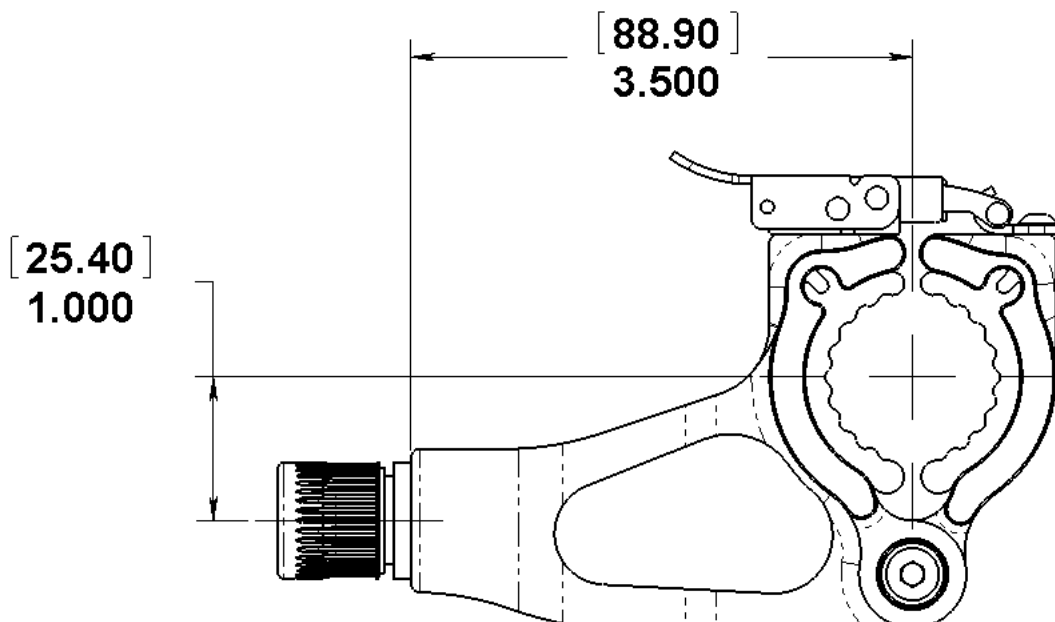
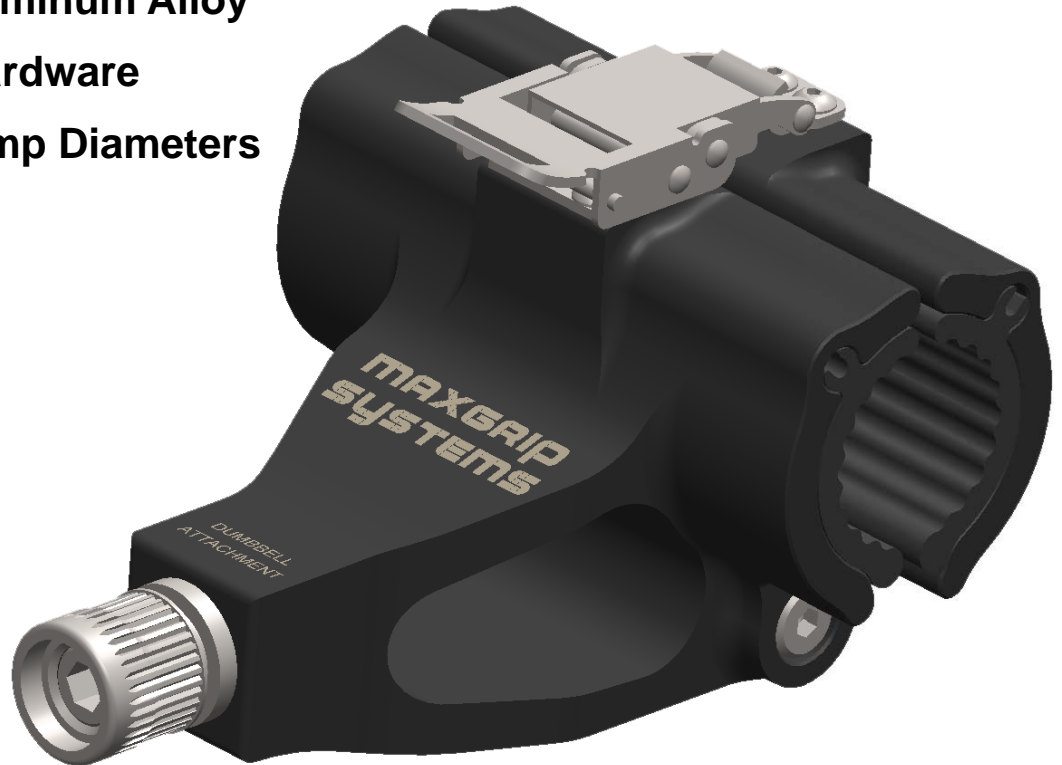
- Overall Dimensions: 7.0in [178mm] x 4.0in [102mm] x 1.7in [44mm]
- Total Weight 1.5 lbs.
- Aircraft Grade Aluminum Alloy
- Stainless Steel Hardware
- 28 and 30mm Clamp Diameters



MAXGRIP SYSTEMS

MXG002 - Dumbbell Attachment

- Overall Dimensions: 5.5in [140mm] x 4.0in [102mm] x 3.4in [87mm]
- Total Weight 1.3 lbs.
- Aircraft Grade Aluminum Alloy
- Stainless Steel Hardware
- 28 and 30mm Clamp Diameters



MAXGRIP SYSTEMS

Finite Element Analysis

- Optimized Design with Advanced Engineering Techniques
- Weight is Minimized While Maintaining Strength
- Strength Ratings:
 - Maximum Barbell Lift of 500 lbs.
 - Maximum Dumbbell Lift of 150 lbs.

